

HP Indigo 50000 Digital Press



**B1 colour web press
for high-quality, high-volume applications**



Digital productivity and quality in a class of its own

The HP Indigo 50000 Digital Press is an oversized B1 duplex web press offering breakthrough productivity with Indigo's outstanding colour quality. Benefit from a low total cost of ownership to produce high-value, high-coverage applications on an extensive range of paper.

Designed for high-volume printing, the press is a highly productive solution for photobooks, yearbooks, publications, direct mail and marketing collateral.

High productivity

The 746 x 1120 mm image size enables ultimate flexibility in imposition efficiency. Print up to 24 million A4 colour pages per month at 770 pages per minute. Produce 2300 ppm in monochrome. Inline finishing connectivity provides an optimised production line. Meet high peak season production needs.

The leader in print quality and colour

Enabled by HP Indigo's liquid ElectroInk technology and unique digital offset process, HP Indigo digital prints are the highest quality. They match or even exceed offset, allowing them to be used interchangeably. Up to 7 ink stations on the press enable use of HP Indigo's wide digital colour gamut including mixed spot colours and 6-colour printing with special photo inks.

Print on virtually any paper

Using the built-in Inline Priming Unit, the press can print on virtually any type of paper, from 40 to 350 gsm including coated, uncoated, superglossy and recycled, enabling unlimited availability.

Boost your sustainability

The HP Indigo 50000 Digital Press is manufactured carbon neutral, and offers reduced production waste, a takeback program, and energy efficiency. An on-press recycling system reduces Imaging Oil consumption by 50%.

Reinvent print production

HP PrintOS is a print production operating system with a set of web and mobile apps that help you get more out of HP Indigo presses, and simplify and automate your production. Use PrintOS to continuously improve operations. Enjoy PrintOS to manage any number of jobs from submission to shipment. Access the open and secure cloud based PrintOS anytime and anywhere.



CO₂ neutral

To learn more, visit hp.com/go/graphic-arts
or hp.com/go/hpindigo50000

High quality, high productivity

HP Indigo's leading digital offset quality

Digital offset colour technology. HP Indigo ElectroInk and the HP Indigo digital offset process deliver crisp linework, attractive images and smooth vignettes with a very thin ink layer that gives uniform gloss between ink and substrate.

Widest digital colour gamut. Use up to 7 ink stations to take advantage of the extensive colour gamut. Emulate PANTONE® colours on press using CMYK or HP IndiChrome's 6- or 7-colour process. True spot colours can be ordered from the HP IndiChrome Ink Mixing Service for outstanding Pantone-approved solids, covering up to 97% of the PANTONE® colour range.

Photo quality printing. Enhance image quality for photo applications with 6-colour printing with light cyan and light magenta photo inks that deliver smoother images and tone transitions. Produce high-end monochrome with light black inks in 2-colour printing with black. Special photo modes deliver even more superior smoothness and colour uniformity.

High print permanence. An independent testing institute, Wilhelm Imaging Research, has verified the permanence of HP Indigo photobook prints. A WIR dark permanence rating of more than 200 years for HP Indigo prints ensures excellent long-term stability and freedom from gradual yellowing when stored in albums and other dark locations. The display quality of HP Indigo prints was also confirmed in WIR testing.

High productivity and efficiency

Long image format. The 746 x 1120 mm image size provides the flexibility to print virtually any application of any size. Capture applications with larger image sizes including oversized photobooks, yearbooks, lay-flat books, long book covers, and calendars. Use the format to gang jobs and for efficient imposition of small images for higher productivity and reduced media waste.

Production efficiency. Produce books cost-effectively in just the right quantities, enabling customers to streamline the supply chain and dramatically reduce the costs of warehousing and obsolescence. Impose A4 book pages 10-up for more than 1800 200-page, high-quality colour books per shift. Benefit from wide flexibility from duplex printing to produce 20-page signatures (A4) or 42-page signatures (A5).



Produce high-coverage publishing applications.



Printing mode flexibility. Take advantage of HP Indigo's colour switching technology to lower costs and boost productivity by printing with fewer than 4 colours. Enhanced Productivity Mode using three colours delivers 33% higher colour throughput to 770 ppm while maintaining the same Indigo quality. It also consumes 25% less energy per printed page. Print in two colours at 1150 ppm, and monochrome at a speed of 2300 ppm. Produce high-end monochrome with HP Indigo ElectroInk Light Black in 2-colour printing with standard black.

Intelligent colour management. Easily meet colour standards and achieve colour accuracy and consistency across Indigo presses, sites, and between Indigo and offset. A built-in spectrophotometer and software tools eliminate the need for manual processes.

Robust supplies. Large-volume ink tubes with higher pigment concentration allow the press to run uninterrupted for long periods.

End-to-end solutions

Print server. HP SmartStream Production Pro Print Server is the most reliable print server in the market, driving HP Indigo presses at consistent and record-breaking speed.

Finishing solutions. Create an end-to-end production line together with HP Indigo finishing partners and inline finishing connectivity including via JDF, for the end-to-end delivery of a broad application range in the most efficient and flexible manner.

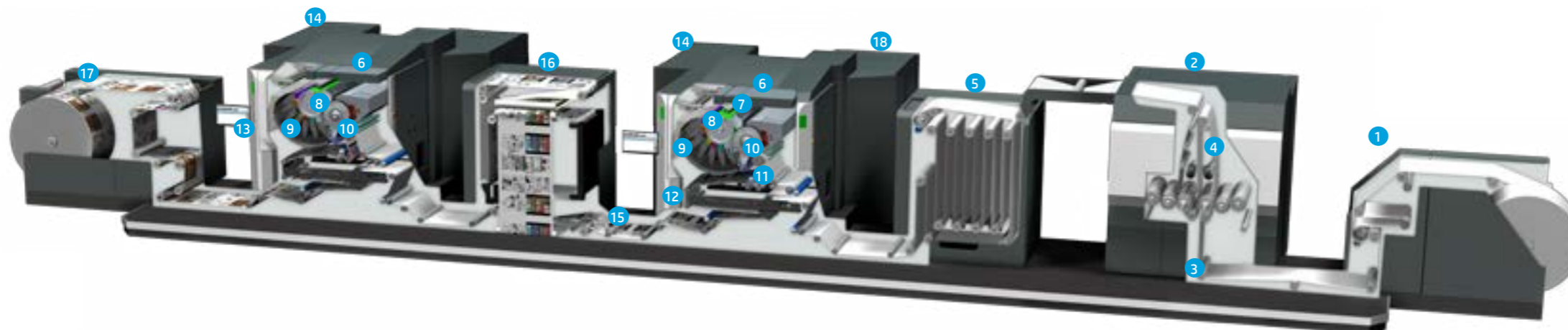
PrintOS. Print Beat provides visibility to press performance to drive continuous improvement to print operations. PrintOS Site Flow efficiently manages any number of jobs per day, even hundreds or thousands. Automate, simplify and streamline files submission with PrintOS Box. Use PrintOS Composer for heavy VDP processing including sophisticated HP SmartStream Mosaic campaigns.



High productivity for large-sized marketing collateral.

Service Advantage

Our certified service teams are committed to meeting your end-to-end needs for accelerated ramp-up and maximum uptime. Remote engineers around the world provide support in multiple languages. Use the on-press capabilities of Print Care to resolve issues quickly and independently. The Smart Uptime Kit helps you to quickly locate the right part and manage your inventory.



1. Unwinder
2. Inline Priming Unit
3. Priming station (Anilox based)
4. Dryer
5. Buffer unit
6. High-speed laser writing head
7. Charge roller
8. Photo Imaging Plate (PIP)
9. Binary Ink Developers (BIDs)

10. Blanket
11. Impression cylinder
12. Inline spectrophotometer
13. Working station
14. Ink cabinet
15. Inline scanner
16. Buffer Control Unit
17. Rewinder
18. Imaging oil recycling system

Technical specifications

Printing speed	575 four-colour A4 pages per minute 4/0 1150 three-colour A4 pages per minute 1150 two-colour A4 pages per minute 2300 monochrome A4 pages per minute
Image resolution	812 dpi at 8 bit, addressability: 2438 x 2438 dpi HDI (High Definition Imaging)
Line screens	144, 160, 175, 180, 180m, 181, HMF-200
Image size	746 x 1120 mm maximum
Web width	398.7 mm – 762 mm; Min repeat length 550 mm; Max repeat length 1140 mm
Paper weight*	Coated and uncoated: 40 to 350 gsm; (subject to paper stiffness) Thickness: 70 to 400 microns
Unwinder/Rewinder	<ul style="list-style-type: none">• Input roller diameter 1.3 m• Input roll inner core diameter:<ul style="list-style-type: none">• Standard: 76.2mm• Optional: 152.4 mm
Print servers (DFEs)	HP SmartStream Production Pro
Press dimensions **	Length: 20800 mm; Width: 4690 mm; Height: 2104 mm
Press weight **	23,350 kg (roll to floor configuration including unwinder, buffer, inline priming unit, platforms, printing engines, BCU). Optional rewriter 3000 lb
HP Indigo ElectroInks	
Standard 4-colour printing	Cyan, magenta, yellow, and black
6-colour photo printing	Cyan, magenta, yellow, black, light cyan, and light magenta
HP IndiChrome Plus 7-colour printing	Cyan, magenta, yellow, black, orange, violet, and green
Special effect inks	Light cyan, light magenta, light black, light light black and white
HP IndiChrome off-press spot inks	HP IndiChrome Ink Mixing System (IMS) for spot colour creation using CMYK as well as orange, violet, green, reflex blue, rhodamine red, bright yellow, and transparent
PANTONE® colour	Supports PANTONE PLUS®, PANTONE MATCHING SYSTEM®, and PANTONE Goe™ HP Professional PANTONE Emulation Technology using CMYK on-press; HP IndiChrome on press; HP IndiChrome Plus on-press HP IndiChrome off press (IMS) for achieving up to 97% of the PANTONE® colour range.
Options	
Expanded colour capabilities	5, 6 or 7 on-press ink stations



Learn more at
hp.com/go/indigo

Sign up for updates
hp.com/go/getupdated



Share with colleagues



Rate this document

© Copyright 2016 HP Development Company, L.P. The information contained herein is subject to change without notice. The only warranties for HP products and services are set forth in the express warranty statements accompanying such products and services. Nothing herein should be construed as constituting an additional warranty. HP shall not be liable for technical or editorial errors or omissions contained herein.

PANTONE® and other Pantone, Inc. trademarks are the property of Pantone, Inc.

4AA6-3964EEW, March 2016.

